

T-handles
24512.0140

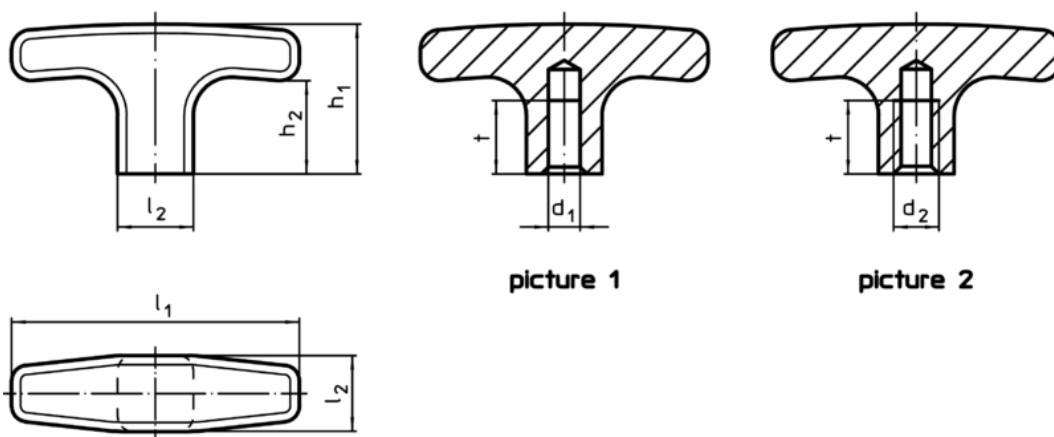
Product Description



Material

- Aluminium, plastic coated, similar to RAL 9005 black, matt structure

Drawing



Order information

Dimensions						[g]	Art. No.
d ₂	l ₁	l ₂	h ₁	h ₂	t		
with threaded blind hole – picture 2							
M10	80	20	41	26	16	80	24512.0140

Application example

