

**T-handles**  
24512.0125

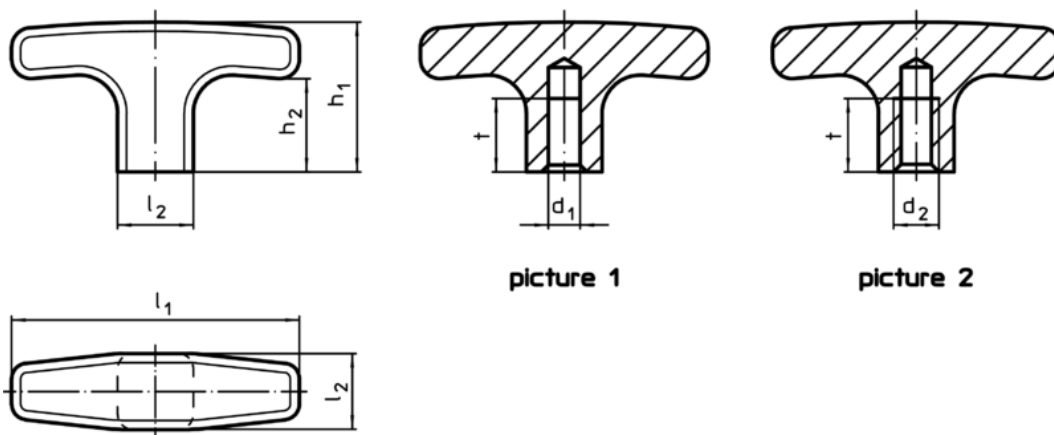
**Product Description**



**Material**

- Aluminium, plastic coated, similar to RAL 9005 black, matt structure

**Drawing**



**Order information**

Dimensions						[g]	Art. No.
d <sub>2</sub>	l <sub>1</sub>	l <sub>2</sub>	h <sub>1</sub>	h <sub>2</sub>	t		
with threaded blind hole – picture 2							
M8	55	14	33	22	12	40	24512.0125

**Application example**

