

T-handles
24512.0035

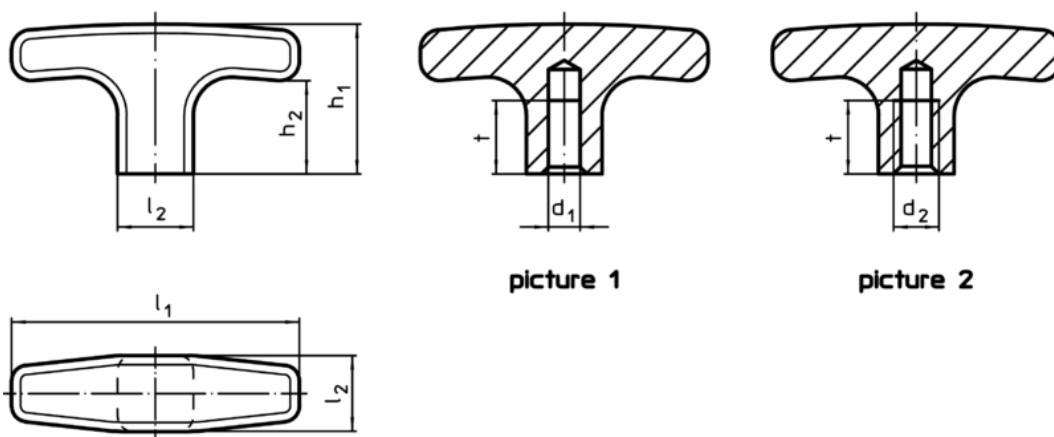
Product Description



Material

- Aluminium, plastic coated, similar to RAL 9005 black, matt structure

Drawing



picture 1

picture 2

Order information

Dimensions							[g]	Art. No.
d ₁	l ₁	l ₂	h ₁	h ₂	t			
H7								
[mm]								
with smooth blind hole – picture 1								
8	80	20	41	26	16	80	24512.0035	

Application example

