

## Tommy Nuts· DIN 6307 with moveable pin

24510.0720



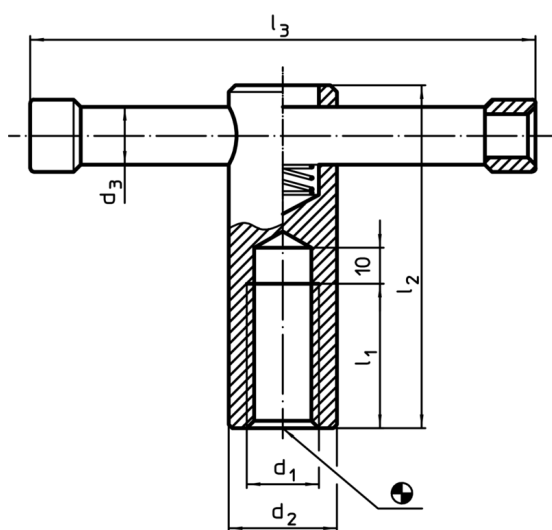
### Product Description

With this version, the pin is moveable and held by the spring.

### Material

- Free cutting steel, blackened

### Drawing



### Order information

d <sub>1</sub>	d <sub>2</sub>	d <sub>3</sub>	Dimensions			[g]	Art. No.
			l <sub>1</sub>	l <sub>2</sub>	l <sub>3</sub>		
M20	30	16	40	95	140	581	24510.0720

### Application example

