

Tommy Nuts· DIN 6307 with moveable pin

24510.0710



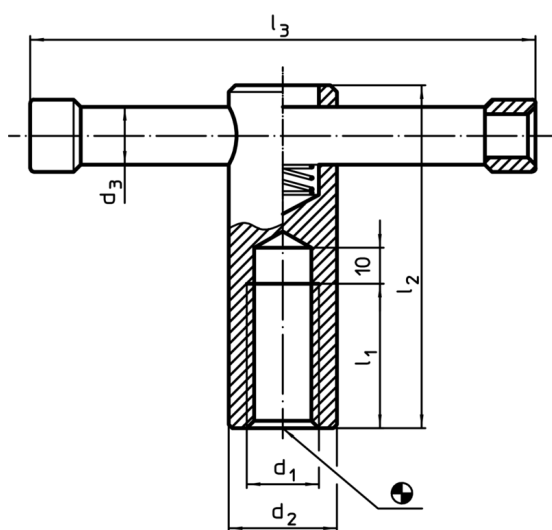
Product Description

With this version, the pin is moveable and held by the spring.

Material

- Free cutting steel, blackened

Drawing



Order information

d ₁	d ₂	Dimensions				[g]	Art. No.
		d ₃	l ₁	l ₂	l ₃		
M10	18	8	20	60	80	112	24510.0710

Application example

