

Tommy Nuts• DIN 6307 with moveable pin

24510.0708



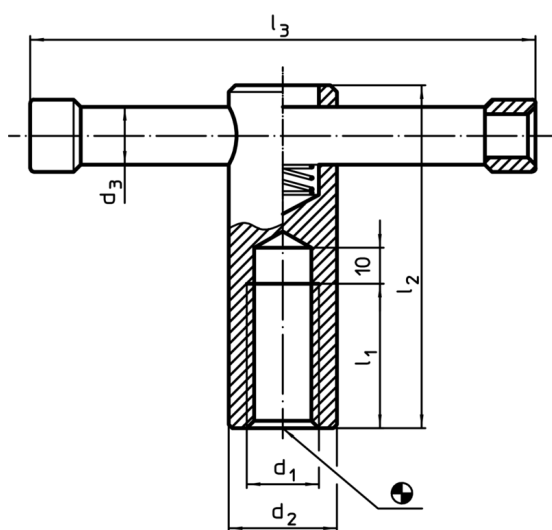
Product Description

With this version, the pin is moveable and held by the spring.

Material

- Free cutting steel, blackened

Drawing



Order information

d ₁	d ₂	d ₃	Dimensions			[g]	Art. No. ¹⁾
			l ₁	l ₂	l ₃		
M8	16	6	16	50	60	69	24510.0708

¹⁾ DIN standards do not include these dimensions.

Application example

