

Tommy Nuts• DIN 6305 with fixed pin

24510.0520



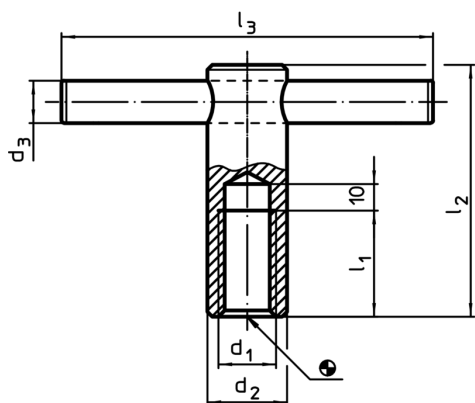
Product Description

With this version, the pin is pressed in.

Material

- Free cutting steel, blackened

Drawing



Order information

Dimensions						[g]	Art. No.
d ₁	d ₂	d ₃	l ₁	l ₂	l ₃		
[mm]							
M20	30	16	40	95	140	590	24510.0520

Application example

