

## Tommy Nuts· DIN 6305 with fixed pin

24510.0516



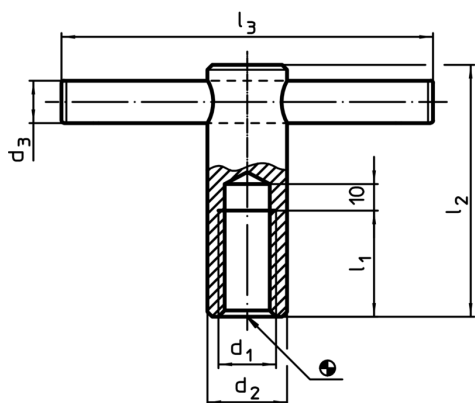
### Product Description

With this version, the pin is pressed in.

### Material

- Free cutting steel, blackened

### Drawing



### Order information

Dimensions						[g]	Art. No.
d <sub>1</sub>	d <sub>2</sub>	d <sub>3</sub>	l <sub>1</sub>	l <sub>2</sub>	l <sub>3</sub>		
[mm]							
M16	24	12	35	85	120	318	24510.0516

### Application example

