

Tommy Nuts• DIN 6305 with fixed pin

24510.0512



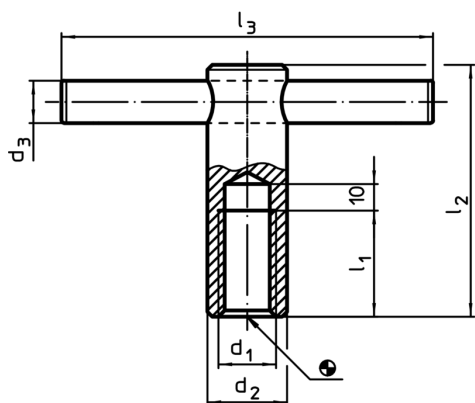
Product Description

With this version, the pin is pressed in.

Material

- Free cutting steel, blackened

Drawing



Order information

| Dimensions | | | | | | [g] | Art. No. |
|----------------|----------------|----------------|----------------|----------------|----------------|-----|------------|
| d ₁ | d ₂ | d ₃ | l ₁ | l ₂ | l ₃ | | |
| M12 | 20 | 10 | 25 | 70 | 100 | 192 | 24510.0512 |

Application example

