

Tommy Nuts• DIN 6305 with fixed pin

24510.0510



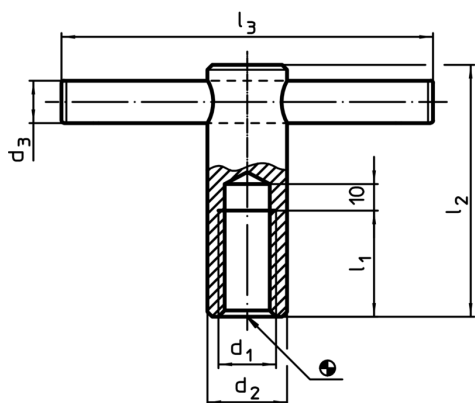
Product Description

With this version, the pin is pressed in.

Material

- Free cutting steel, blackened

Drawing



Order information

		Dimensions					Art. No.	
d ₁	d ₂	d ₃	l ₁	l ₂	l ₃			
[mm]							[g]	
M10	18	8	20	60	80	127	24510.0510	

Application example

