

Tommy Nuts· DIN 6305 with fixed pin

24510.0508



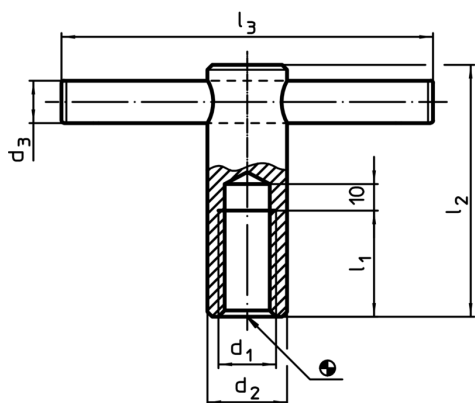
Product Description

With this version, the pin is pressed in.

Material

- Free cutting steel, blackened

Drawing



Order information

d ₁	d ₂	d ₃	Dimensions			[g]	Art. No. ¹⁾
			l ₁	l ₂	l ₃		
[mm]							
M8	16	6	16	50	60	79	24510.0508

¹⁾ DIN standards do not include these dimensions.

Application example

