

Tommy Screws· DIN 6306 with moveable pin

24500.0122



Product Description

With this version, the pin is moveable and held by the spring.

Material

- Free cutting steel, blackened, pressure lug hardened.

More information

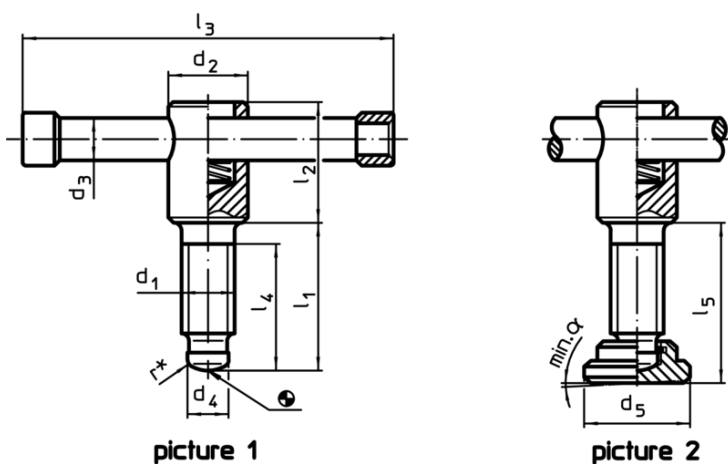
References

Thrust point for thrust pad DIN 6311 form S, EH 22560.

Further products


- Thrust Pads, DIN 6311 and low model

Drawing



* to ease assembly the DIN 6306 specification has been completed by r

Order information

Dimensions										α min.		Art. No.
d_1	l_1	d_2	d_3	d_4	d_5	l_2	l_3	l_4	l_5			
[mm]												
with thrust pad, form E – picture 2												
M20	90	30	16	15,5	40	45	140	80	95,5	4°	693	24500.0122