

## Tommy Screws· DIN 6306 with moveable pin

24500.0113



### Product Description

With this version, the pin is moveable and held by the spring.

### Material

- Free cutting steel, blackened, pressure lug hardened.

### More information

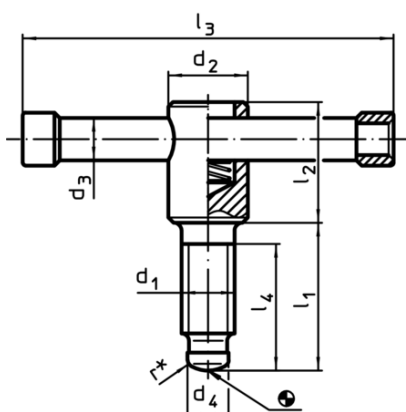
### References

Thrust point for thrust pad DIN 6311 form S, EH 22560.

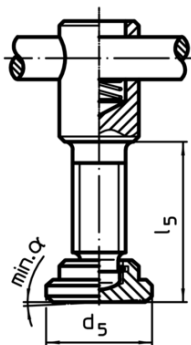
### Further products

- Thrust Pads, DIN 6311 and low model

### Drawing




picture 1



picture 2

\* to ease assembly the DIN 6306 specification has been completed by r

### Order information

Dimensions										α min.		Art. No.	
d <sub>1</sub>	l <sub>1</sub>	d <sub>2</sub>	d <sub>3</sub>	d <sub>4</sub>	d <sub>5</sub>	l <sub>2</sub>	l <sub>3</sub>	l <sub>4</sub>	l <sub>5</sub>				
[mm]													
with thrust pad, form E – picture 2													
M12	60	20	10	8	25	35	100	50	64,6	3°	198	24500.0113	