

## Tommy Screws· DIN 6304 with fixed pin

24490.0117



### Product Description

With this version, the pin is pressed in.

### Material

- Free cutting steel, blackened, pressure lug hardened.

### More information

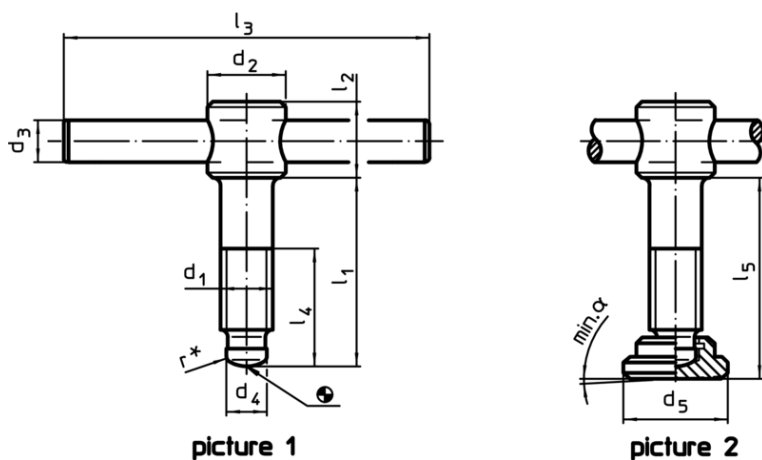
### References

Thrust point for thrust pad DIN 6311 form S, EH 22560.

### Further products

- Thrust Pads, DIN 6311 and low model

### Drawing



\* to ease assembly the DIN 6304 specification has been completed by r

### Order information

| Dimensions                          |                |                |                |                |                |                |                |                |                | $\alpha$<br>min. |     | Art. No.   |
|-------------------------------------|----------------|----------------|----------------|----------------|----------------|----------------|----------------|----------------|----------------|------------------|-----|------------|
| d <sub>1</sub>                      | l <sub>1</sub> | d <sub>2</sub> | d <sub>3</sub> | d <sub>4</sub> | d <sub>5</sub> | l <sub>2</sub> | l <sub>3</sub> | l <sub>4</sub> | l <sub>5</sub> |                  | [g] |            |
| [mm]                                |                |                |                |                |                |                |                |                |                |                  |     |            |
| with thrust pad, form F – picture 2 |                |                |                |                |                |                |                |                |                |                  |     |            |
| M16                                 | 90             | 24             | 12             | 12             | 32             | 20             | 120            | 70             | 95,4           | 5°               | 342 | 24490.0117 |