

## Tommy Screws· DIN 6304 with fixed pin

24490.0013



### Product Description

With this version, the pin is pressed in.

### Material

- Free cutting steel, blackened, pressure lug hardened.

### More information

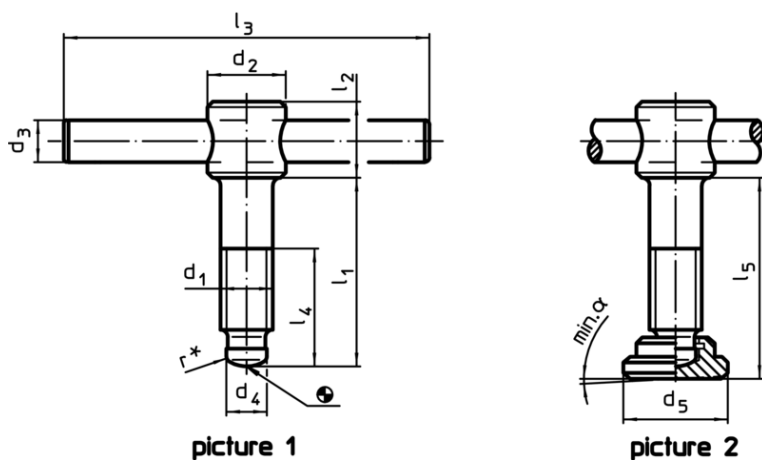
### References

Thrust point for thrust pad DIN 6311 form S, EH 22560.

### Further products

- Thrust Pads, DIN 6311 and low model

### Drawing



\* to ease assembly the DIN 6304 specification has been completed by r

### Order information

| Dimensions                             |                |                |                |                |                |                | [g] | Art. No. |                |
|--|----------------|----------------|----------------|----------------|----------------|----------------|-----|----------|----------------|
| d <sub>1</sub>                         | l <sub>1</sub> | d <sub>2</sub> | d <sub>3</sub> | d <sub>4</sub> | l <sub>2</sub> | l <sub>3</sub> |     |          | l <sub>4</sub> |
| [mm]                                   |                |                |                |                |                |                |     |          |                |
| without thrust pad, form E – picture 1 |                |                |                |                |                |                |     |          |                |
| M12                                    | 80             | 20             | 10             | 8              | 18             | 100            | 60  | 149      | 24490.0013     |