

Clamping Nuts • welded, double-sided

24470.0816

Product Description

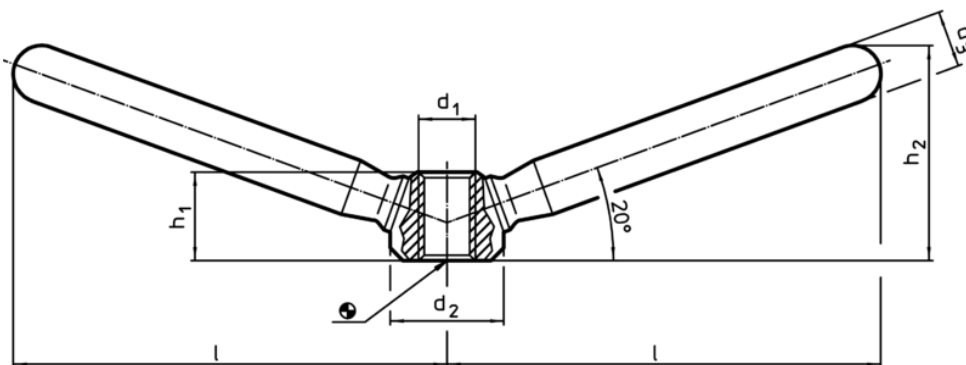
Allows for two-handed operating.

Material

- Stainless steel 1.4301, dull blasted



Drawing



Order information

| l | d ₁ | Dimensions | | | h ₁ | h ₂ | [g] | Art. No. |
|-----------------|----------------|----------------|----------------|------|----------------|----------------|------------|----------|
| | | d ₂ | d ₃ | [mm] | | | | |
| Stainless steel | | | | | | | | |
| 118 | M20 | 40 | 20 | 31 | 62 | 716 | 24470.0816 | |

Application example

