

## Clamping Nuts • welded, double-sided

24470.0810

### Product Description

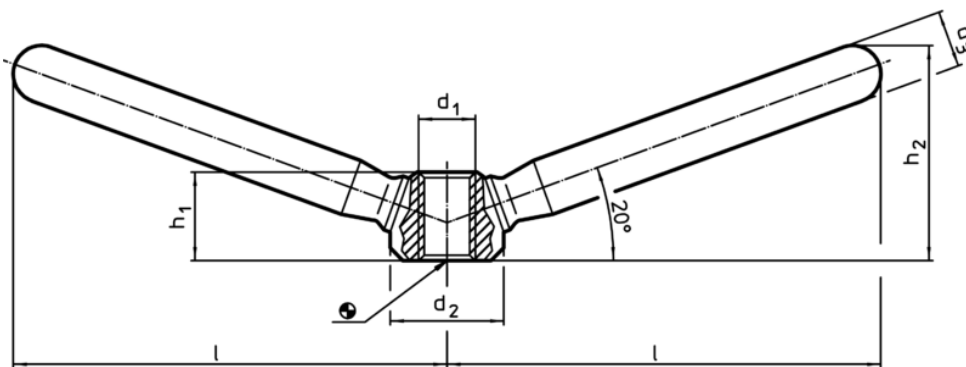
Allows for two-handed operating.

### Material

- Stainless steel 1.4301, dull blasted



### Drawing



### Order information

l	d <sub>1</sub>	Dimensions			h <sub>1</sub>	h <sub>2</sub>	[g]	Art. No.
		d <sub>2</sub>	d <sub>3</sub>	[mm]				
Stainless steel								
75,5	M12	25	14	19	40	210	24470.0810	

### Application example

