

## Clamping Nuts • welded, double-sided

24470.0808

### Product Description

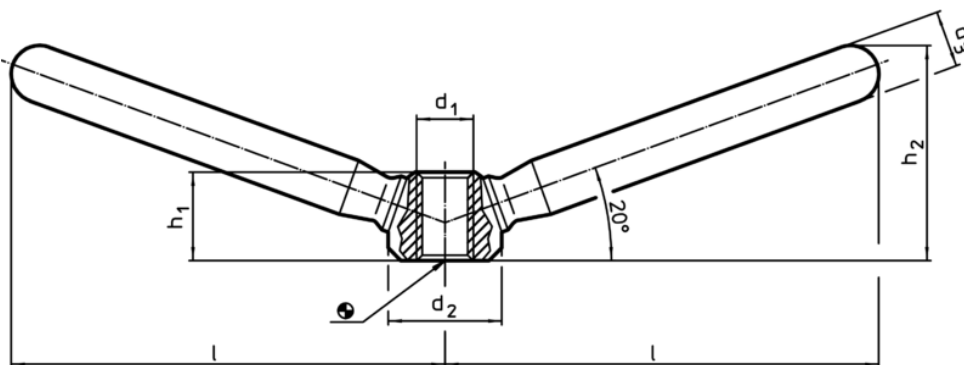
Allows for two-handed operating.

### Material

- Stainless steel 1.4301, dull blasted



### Drawing



### Order information

| l               | d <sub>1</sub> | Dimensions     |                |      | h <sub>1</sub> | h <sub>2</sub> | [g]        | Art. No. |
|-----------------|----------------|----------------|----------------|------|----------------|----------------|------------|----------|
|                 |                | d <sub>2</sub> | d <sub>3</sub> | [mm] |                |                |            |          |
| Stainless steel |                |                |                |      |                |                |            |          |
| 59,5            | M10            | 20             | 12             | 15   | 32             | 116            | 24470.0808 |          |

### Application example

