

Clamping Nuts • welded, double-sided

24470.0806

Product Description

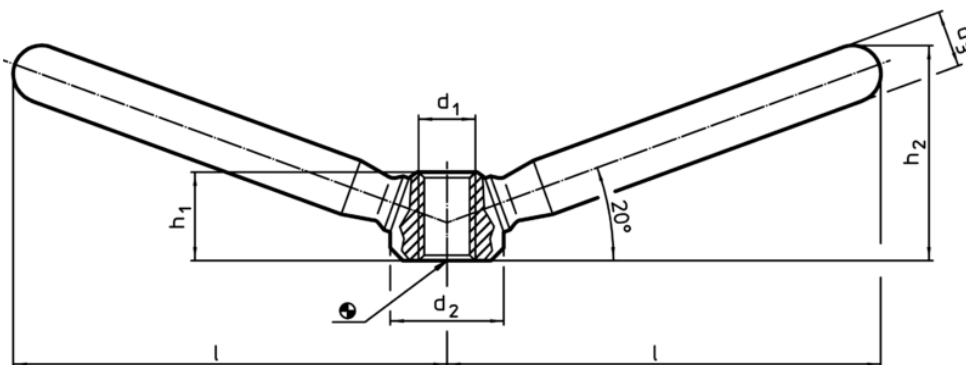
Allows for two-handed operating.

Material

- Stainless steel 1.4301, dull blasted



Drawing



Order information

l	d ₁	Dimensions			h ₁	h ₂	[g]	Art. No.
		d ₂	d ₃	[mm]				
47,5	M8	16	10	12,5	26	55	24470.0806	

Application example

