

Clamping Nuts • welded, double-sided

24470.0716

Product Description

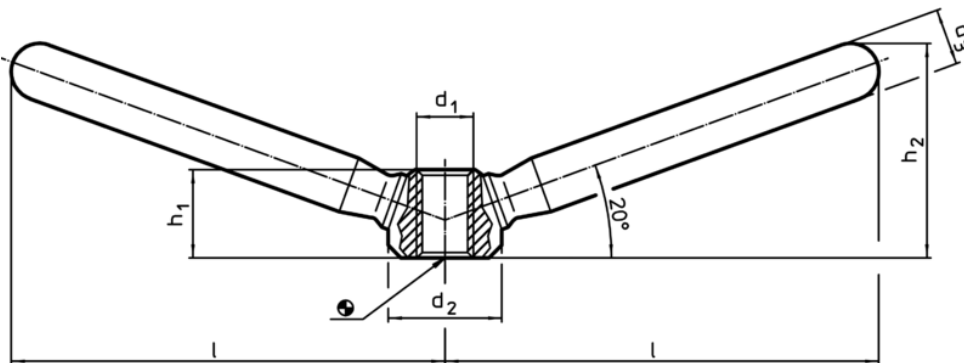
Allows for two-handed operating.

Material

- Steel, zinc-plated by galvanization



Drawing



Order information

l	d ₁	Dimensions			h ₁	h ₂	[g]	Art. No.
		d ₂	d ₃	[mm]				
Steel								
118	M20	40	20	31	62	716	24470.0716	

Application example

