

Clamping Nuts • welded

24470.0610



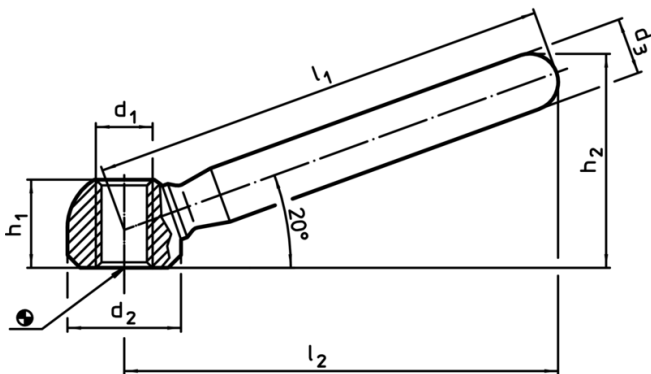
Product Description

Low-price version to DIN 99.

Material

- Stainless steel 1.4301, dull blasted

Drawing



Order information

Dimensions							[g]	Art. No.
l_1	l_2 ~	d_1	d_2 [mm]	d_3	h_1	h_2 ~		
Stainless steel								
100	95	M12	25	14	19	46	153	24470.0610

Application example

