

## Clamping Nuts· welded

24470.0516



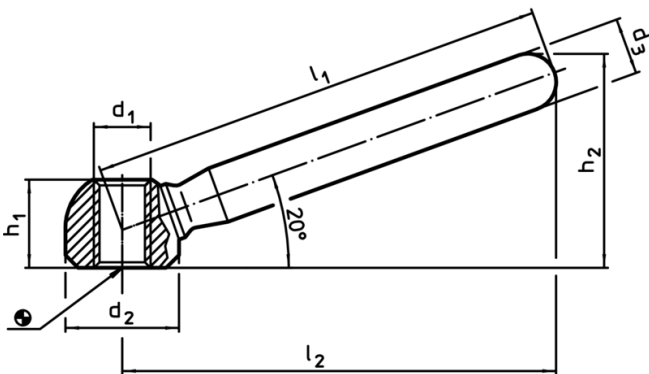
### Product Description

Low-price version to DIN 99.

### Material

- Steel, zinc-plated by galvanization

### Drawing



### Order information

Dimensions							[g]	Art. No.
$l_1$	$l_2$ ~	$d_1$	$d_2$	$d_3$	$h_1$	$h_2$ ~		
[mm]								
Steel								
160	152	M20	40	20	31	73	533	24470.0516

Application example

