

## Clamping Nuts· welded

24470.0510



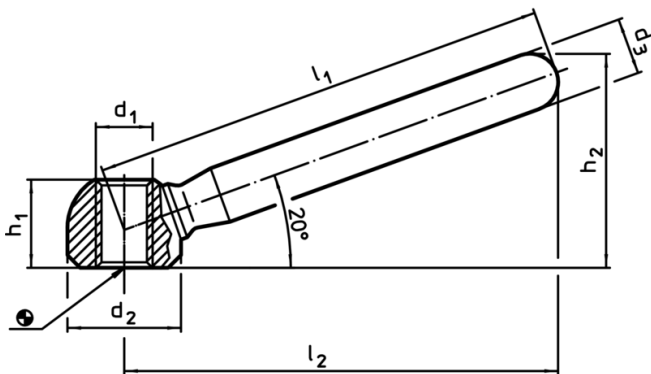
### Product Description

Low-price version to DIN 99.

### Material

- Steel, zinc-plated by galvanization

### Drawing



### Order information

Dimensions							[g]	Art. No.
$l_1$	$l_2$	$d_1$	$d_2$	$d_3$	$h_1$	$h_2$		
[mm]								
<b>Steel</b>								
100	95	M12	25	14	19	46	153	24470.0510

Application example

