

Clamping Nuts· welded

24470.0506



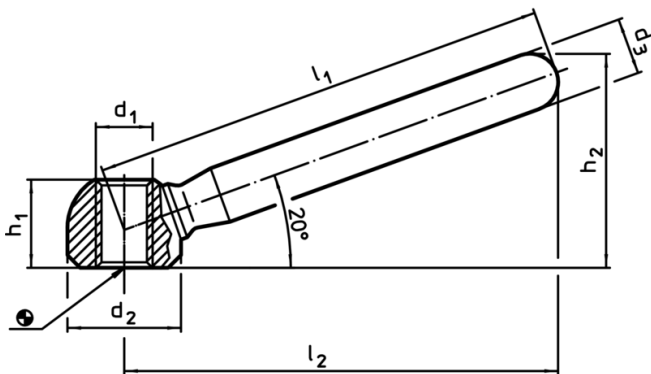
Product Description

Low-price version to DIN 99.

Material

- Steel, zinc-plated by galvanization

Drawing



Order information

Dimensions							[g]	Art. No.
l_1	l_2 ~	d_1	d_2	d_3	h_1	h_2 ~		
[mm]								
Steel								
63	60	M8	16	10	12,5	30,5	39	24470.0506

Application example

