

Clamping Levers • DIN 99
24470.0110

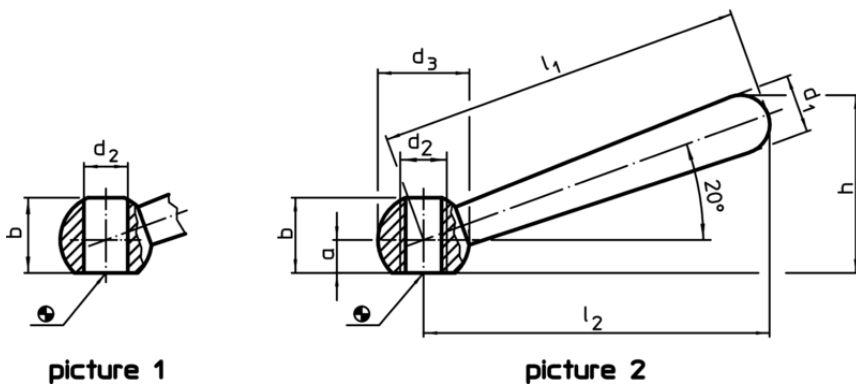


Product Description

Material

- Steel, blackened

Drawing



Order information

Dimensions								[g]	Art. No.
l_1	l_2	a	b ~ [mm]	d_1	d_2 H7	d_3	h ~		
slanted, with smooth bore, form L – picture 1, Steel									
100	95	7,5	18,5	16	12	25	47	140	24470.0110

Application example

