

## Clamping Levers • DIN 99

24470.0106

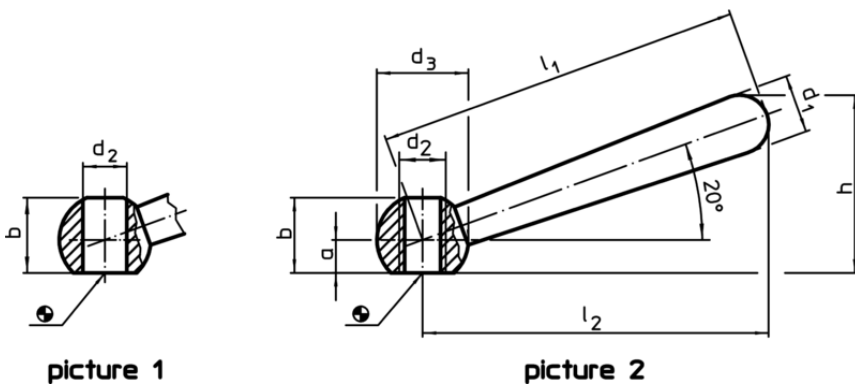


### Product Description

#### Material

- Steel, blackened

### Drawing



### Order information

Dimensions								[g]	Art. No.
$l_1$	$l_2$	a	b	$d_1$	$d_2$ H7	$d_3$	h		
[mm]									
slanted, with smooth bore, form L – picture 1, Steel									
63	60	5	12	10	8	16	30,5	37	24470.0106

### Application example

