

Adjustable Clamping Levers

24440.0101



Product Description

Material

Lever

- Steel, blackened

Inner parts

- Steel, blackened, quality 5.8

Ball knob

- Thermosetting plastic PF 31, black, DIN 319

Operation

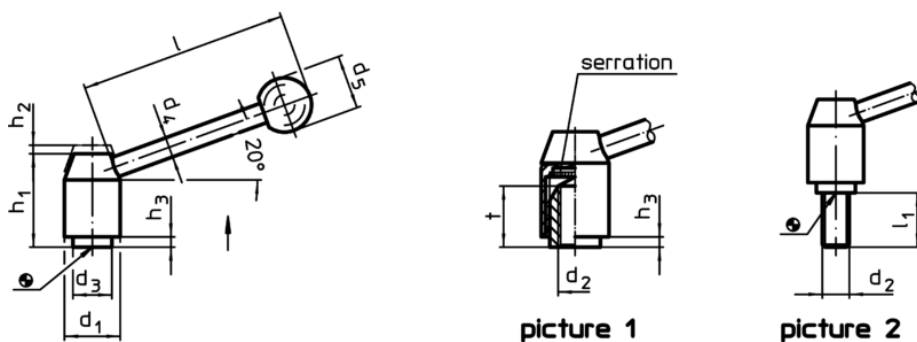
By lifting the lever the serrations are disengaged. The lever can be positioned by the serrations. On releasing the lever, the serrations are automatically re-engaged.

More information

Notes

The threaded portion can be exchanged.

Drawing



Order information

Dimensions										[g]	Art. No.
d ₁	d ₂	d ₃	d ₄	d ₅	h ₁	h ₂	h ₃	l	t		
[mm]											
with female thread – picture 1, Steel											
21	M6	13,5	8	20	33,5	4	1	70	11	91	24440.0101