

Clamping Levers

24430.0230



Product Description

Material

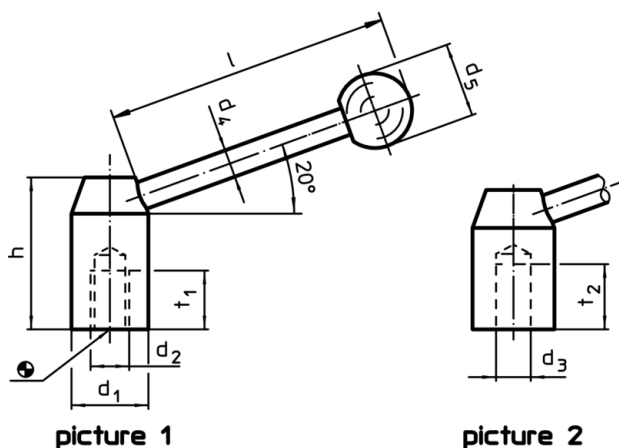
Lever

- Stainless steel 1.4305, dull blasted


Ball knob

- Thermosetting plastic PF 31, black, DIN 319

Drawing



Order information

d ₁	d ₂	d ₄	Dimensions d ₅ [mm]	h	l ~	t ₁	 [g]	Art. No.
with female thread – picture 1, Stainless steel								
22	M8	8	20	37	70	15	121	24430.0230

Application example

