

Clamping Levers

24430.0040



Product Description

Material

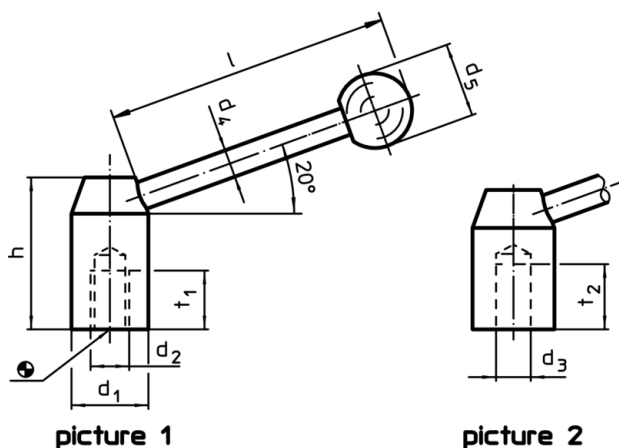
Lever

- Steel, blackened


Ball knob

- Thermosetting plastic PF 31, black, DIN 319

Drawing



Order information

d_1	d_3 H7	d_4	Dimensions d_5 [mm]	h	l ~	t_2	 [g]	Art. No.
28	12	12	30	47	110	22	268	24430.0040

Application example

