

## Clamping Levers

24430.0035



### Product Description

#### Material

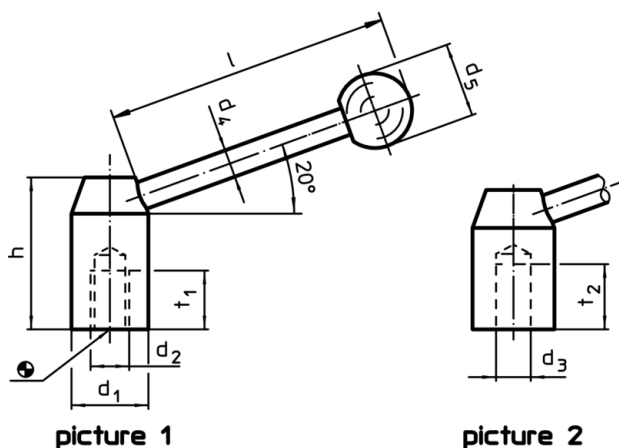
##### Lever

- Steel, blackened

##### Ball knob

- Thermosetting plastic PF 31, black, DIN 319

### Drawing



### Order information

d <sub>1</sub>	d <sub>3</sub> H7	d <sub>4</sub>	Dimensions				[g]	Art. No.
			d <sub>5</sub> [mm]	h	l	t <sub>2</sub>		
with smooth bore – picture 2, Steel								
25	12	10	25	42	96	21	170	24430.0035

### Application example

