

Clamping Levers

24430.0032



Product Description

Material

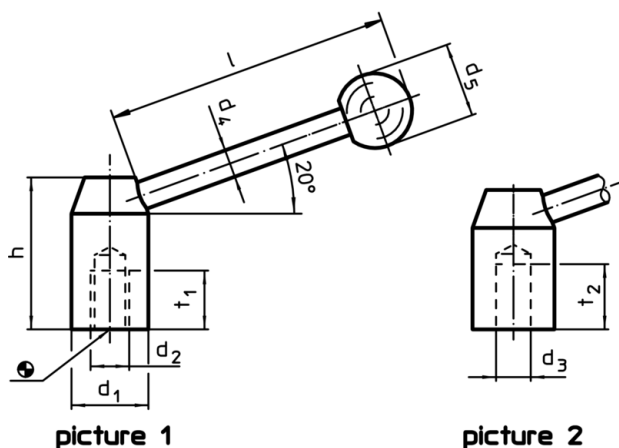
Lever

- Steel, blackened

Ball knob

- Thermosetting plastic PF 31, black, DIN 319

Drawing



Order information

d ₁	d ₂	d ₄	Dimensions				t ₁	[g]	Art. No.
			d ₅	h	l	[mm]			
with female thread – picture 1, Steel									
22	M10	8	20	37	82	15	113	24430.0032	

Application example

