

Clamping Levers

24430.0022



Product Description

Material

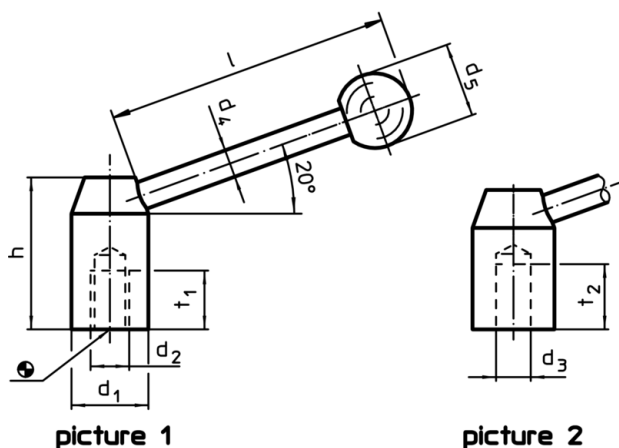
Lever

- Steel, blackened


Ball knob

- Thermosetting plastic PF 31, black, DIN 319

Drawing



Order information

d ₁	d ₂	d ₄	Dimensions d ₅ [mm]	h	l ~	t ₁	 [g]	Art. No.
with female thread – picture 1, Steel								
20	M8	8	20	33	67	15	97	24430.0022

Application example

