

## Adjustable Clamping Levers• with axial bearing from stainless steel, with screw

24420.1348



### Product Description

Adjustable clamping levers with rust-proof inner parts. Suitable for multiple applications, e.g. medical environments, chemical industry, and so on.

Advantages of axial bearing:

- Double clamping force with same lever size, by reducing the surface friction.
- Protection of workpiece by a fixed locating surface.
- Little setting due to higher pre-clamping force of bolt, e.g. thread.

### Material

#### Lever

- Zinc die-cast, plastic coated, black, similar to RAL 9005, matt structure

#### Inner parts

- Stainless steel

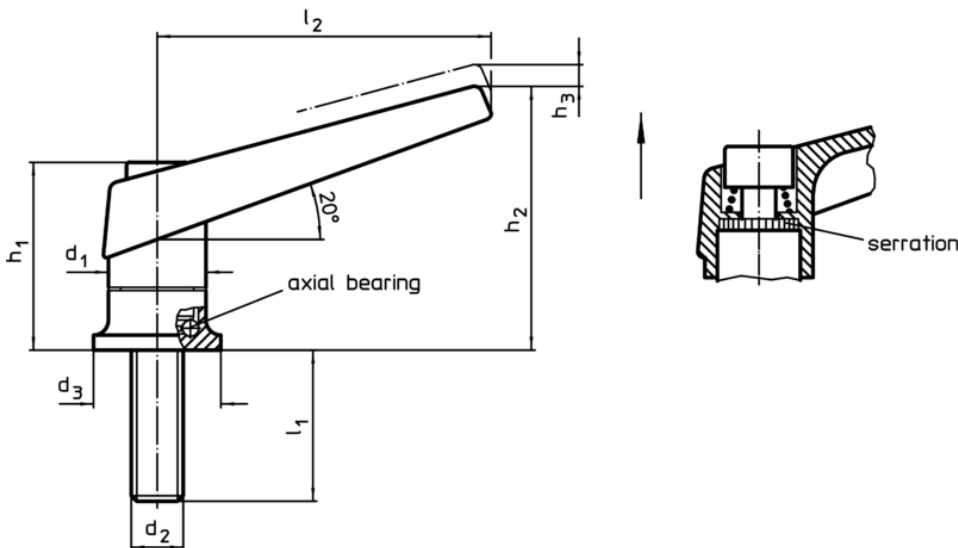
#### Screw

- Stainless steel

### Operation

By lifting the lever the serrations are disengaged. The lever can be positioned by the serrations. On releasing the lever, the serrations are automatically re-engaged.

### Drawing



### Order information

| Dimensions     |                |                |                |                |                |                |                |     | [g]        | Art. No. |
|----------------|----------------|----------------|----------------|----------------|----------------|----------------|----------------|-----|------------|----------|
| d <sub>1</sub> | d <sub>2</sub> | l <sub>1</sub> | d <sub>3</sub> | h <sub>1</sub> | h <sub>2</sub> | h <sub>3</sub> | l <sub>2</sub> |     |            |          |
| black          |                |                |                |                |                |                |                |     |            |          |
| 30             | M12            | 50             | 35             | 56,5           | 82             | 5              | 108            | 420 | 24420.1348 |          |

### Application example

