

## Adjustable Clamping Levers• with axial bearing from stainless steel, with screw

24420.1330



### Product Description

Adjustable clamping levers with rust-proof inner parts. Suitable for multiple applications, e.g. medical environments, chemical industry, and so on.

Advantages of axial bearing:

- Double clamping force with same lever size, by reducing the surface friction.
- Protection of workpiece by a fixed locating surface.
- Little setting due to higher pre-clamping force of bolt, e.g. thread.

### Material

#### Lever

- Zinc die-cast, plastic coated, orange similar to RAL 2004, matt structure

#### Inner parts

- Stainless steel

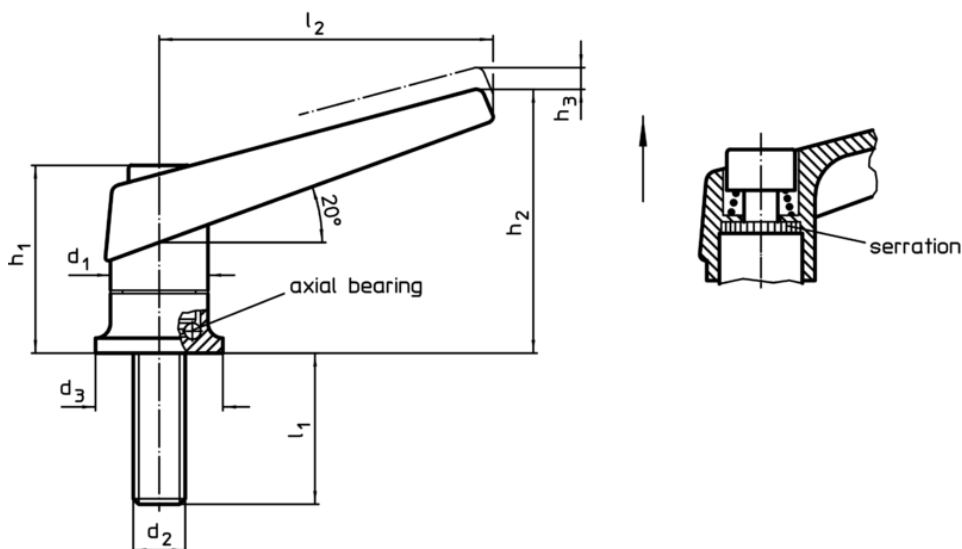
#### Screw

- Stainless steel

### Operation

By lifting the lever the serrations are disengaged. The lever can be positioned by the serrations. On releasing the lever, the serrations are automatically re-engaged.

### Drawing



### Order information

| Dimensions |       |       |       |       |       |       |       |      | [g] | Art. No.   |
|------------|-------|-------|-------|-------|-------|-------|-------|------|-----|------------|
| $d_1$      | $d_2$ | $l_1$ | $d_3$ | $h_1$ | $h_2$ | $h_3$ | $l_2$ | [mm] |     |            |
| orange     |       |       |       |       |       |       |       |      |     |            |
| 30         | M12   | 34    | 35    | 56,5  | 82    | 5     | 108   |      | 412 | 24420.1330 |

### Application example

