

## Adjustable Clamping Levers with screw

24400.0224



### Product Description

#### Material

##### Lever

- Zinc die-cast, plastic coated, black, similar to RAL 9005, matt structure

##### Inner parts

- Steel, blackened, quality 5.8

##### Screw

- Steel, blackened, quality 5.8

#### Operation

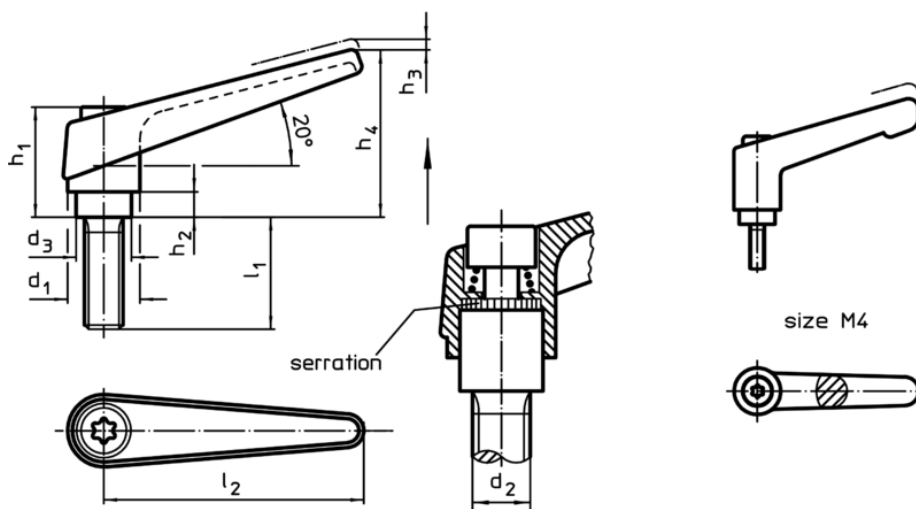
**By lifting the lever** the serrations are disengaged. The lever can be positioned by the serrations. On releasing the lever, the serrations are automatically re-engaged.

#### More information

#### Notes

The screw part can be exchanged.

### Drawing



### Order information

| Dimensions     |                |                |                |                |                |                |                |                |      | [g]        | Art. No. |
|----------------|----------------|----------------|----------------|----------------|----------------|----------------|----------------|----------------|------|------------|----------|
| d <sub>1</sub> | d <sub>2</sub> | l <sub>1</sub> | d <sub>3</sub> | h <sub>1</sub> | h <sub>2</sub> | h <sub>3</sub> | h <sub>4</sub> | l <sub>2</sub> | [mm] |            |          |
| black          |                |                |                |                |                |                |                |                |      |            |          |
| 18             | M6             | 16             | 13,5           | 31             | 6,5            | 3              | 45             | 62             | 72   | 24400.0224 |          |

### Application example

