

Adjustable Clamping Levers with screw

24400.0028



Product Description

Material

Lever

- Zinc die-cast, plastic coated, black, similar to RAL 9005, matt structure

Inner parts

- Steel, blackened, quality 5.8

Screw

- Steel, blackened, quality 5.8

Operation

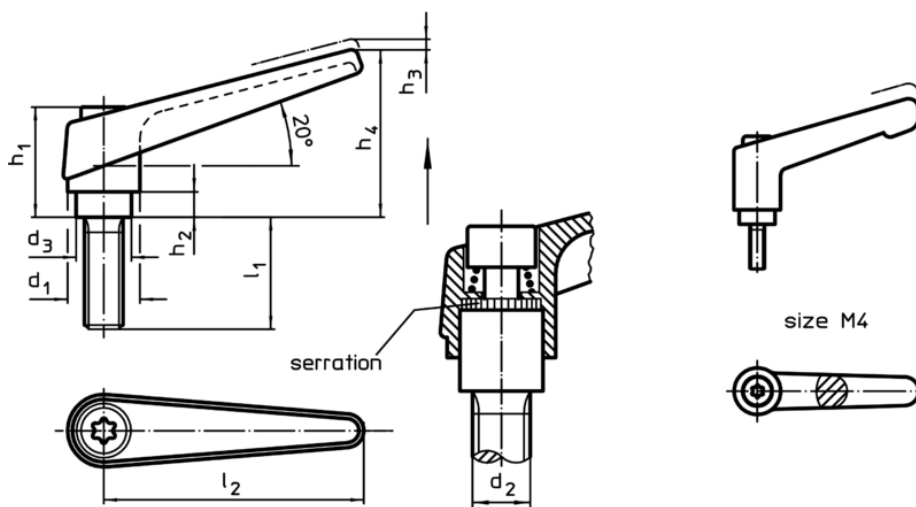
By lifting the lever the serrations are disengaged. The lever can be positioned by the serrations. On releasing the lever, the serrations are automatically re-engaged.

More information

Notes

The screw part can be exchanged.

Drawing



Order information

d ₁	d ₂	l ₁	d ₃	Dimensions					[g]	Art. No.
				h ₁	h ₂	h ₃	h ₄	l ₂		
black										
13	M4	32	10	24,5	4	3,5	30,5	30	28	24400.0028

Application example

