

Adjustable Clamping Levers with screw

24400.0024



Product Description

Material

Lever

- Zinc die-cast, plastic coated, black, similar to RAL 9005, matt structure

Inner parts

- Steel, blackened, quality 5.8

Screw

- Steel, blackened, quality 5.8

Operation

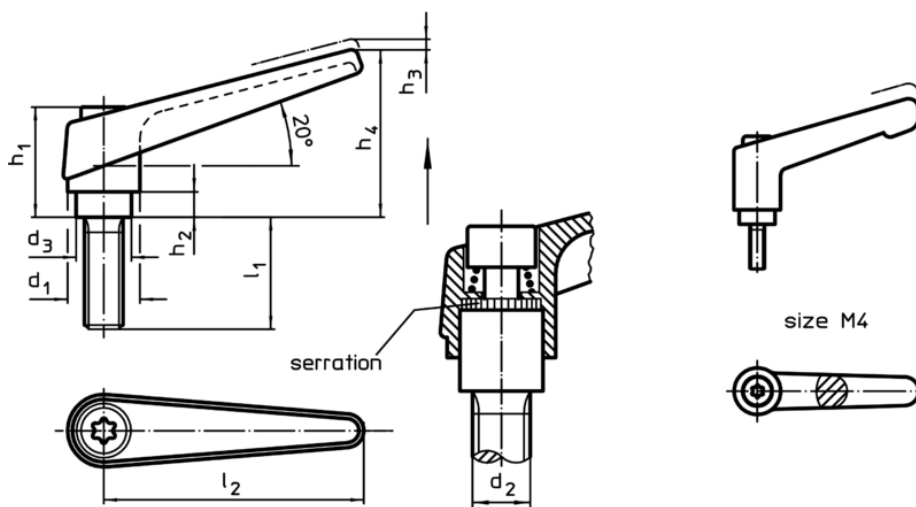
By lifting the lever the serrations are disengaged. The lever can be positioned by the serrations. On releasing the lever, the serrations are automatically re-engaged.

More information

Notes

The screw part can be exchanged.

Drawing



Order information

d_1	d_2	l_1	d_3	Dimensions					[g]	Art. No.
				h_1	h_2	h_3	h_4	l_2		
black										
13	M4	25	10	24,5	4	3,5	30,5	30	28	24400.0024

Application example

