

## Adjustable Clamping Levers with screw

24400.0016



### Product Description

#### Material

##### Lever

- Zinc die-cast, plastic coated, black, similar to RAL 9005, matt structure

##### Inner parts

- Steel, blackened, quality 5.8

##### Screw

- Steel, blackened, quality 5.8

#### Operation

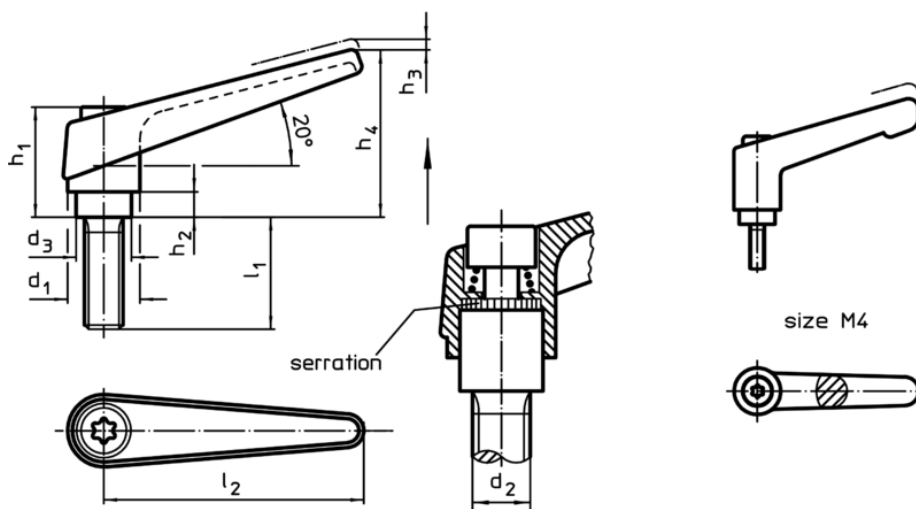
**By lifting the lever** the serrations are disengaged. The lever can be positioned by the serrations. On releasing the lever, the serrations are automatically re-engaged.

#### More information

#### Notes

The screw part can be exchanged.

### Drawing



### Order information

d <sub>1</sub>	d <sub>2</sub>	l <sub>1</sub>	d <sub>3</sub>	Dimensions					[g]	Art. No.
				h <sub>1</sub> [mm]	h <sub>2</sub>	h <sub>3</sub>	h <sub>4</sub>	l <sub>2</sub>		
black										
13	M4	16	10	24,5	4	3,5	30,5	30	27	24400.0016

### Application example

