

Adjustable Clamping Levers• inner parts from stainless steel, with screw

24390.0131



Product Description

Adjustable clamping levers with rust-proof inner parts. Suitable for multiple applications, e.g. medical environments, chemical industry, and so on.

Material

Lever

- Zinc die-cast, plastic coated, orange similar to RAL 2004, matt structure

Inner parts

- Stainless steel 1.4305

Screw

- Stainless steel 1.4305

Operation

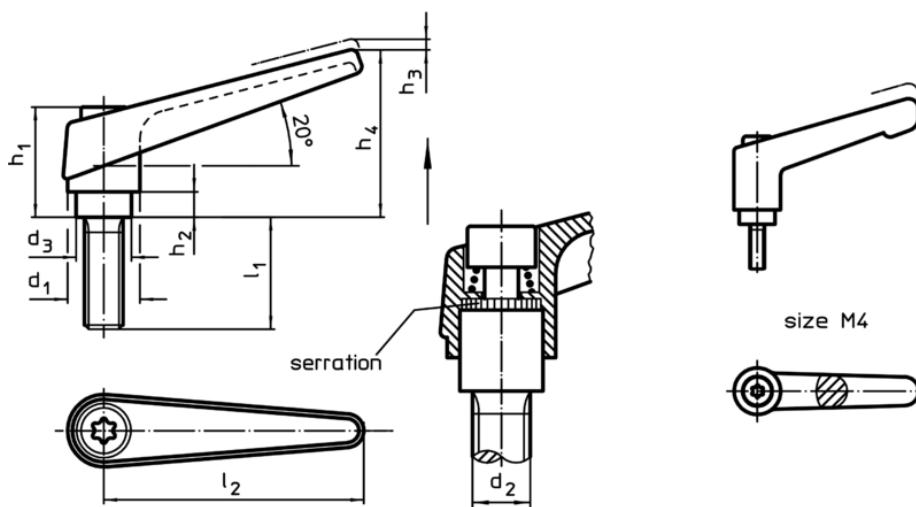
By lifting the lever the serrations are disengaged. The lever can be positioned by the serrations. On releasing the lever, the serrations are automatically re-engaged.

More information

Notes

The screw part can be exchanged.

Drawing



Order information

| Dimensions | | | | | | | | | | Art. No. |
|------------|-------|-------|-------|-------|-------|-------|-------|-------|-----|------------|
| d_1 | d_2 | l_1 | d_3 | h_1 | h_2 | h_3 | h_4 | l_2 | [g] | |
| orange | | | | | | | | | | |
| 14 | M6 | 12 | 10 | 24,5 | 4 | 3 | 35 | 45 | 37 | 24390.0131 |

Application example

