

Adjustable Clamping Levers• inner parts from stainless steel, with female thread

24390.0124



Product Description

Adjustable clamping levers with rust-proof inner parts. Suitable for multiple applications, e.g. medical environments, chemical industry, and so on.

Material

Lever

- Zinc die-cast, plastic coated, black, similar to RAL 9005, matt structure

Threaded part

- Stainless steel 1.4305

Inner parts

- Stainless steel 1.4305

Operation

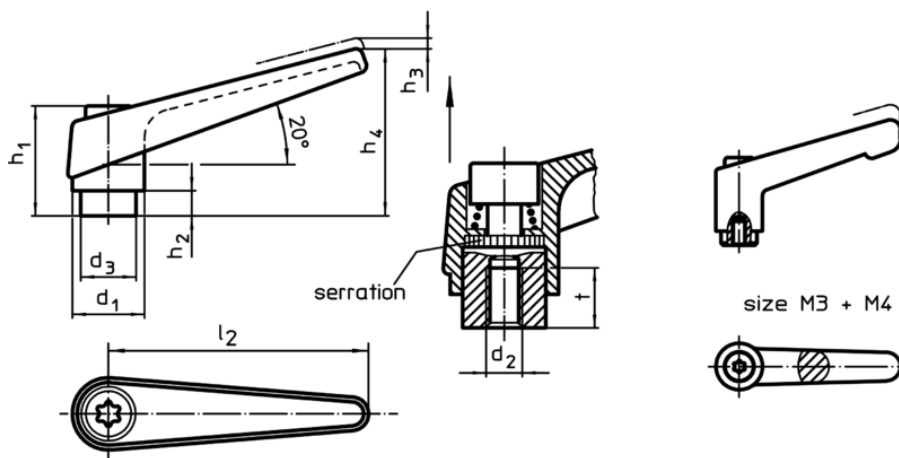
By lifting the lever the serrations are disengaged. The lever can be positioned by the serrations. On releasing the lever, the serrations are automatically re-engaged.

More information

Notes

The threaded portion can be exchanged.

Drawing



Order information

| d ₁ | d ₂ | d ₃ | Dimensions | | | | | | | [g] | Art. No. | |
|----------------|----------------|----------------|----------------|----------------|----------------|----------------|----------------|---|----|------------|----------|--|
| | | | h ₁ | h ₂ | h ₃ | h ₄ | l ₂ | t | | | | |
| [mm] | | | | | | | | | | | | |
| black | | | | | | | | | | | | |
| 14 | M6 | 10 | 24,5 | 4 | 3 | 35 | 45 | 8 | 33 | 24390.0124 | | |

Application example

