

## Adjustable Clamping Levers• inner parts from stainless steel, with female thread

24390.0121



### Product Description

Adjustable clamping levers with rust-proof inner parts. Suitable for multiple applications, e.g. medical environments, chemical industry, and so on.

### Material

#### Lever

- Zinc die-cast, plastic coated, orange similar to RAL 2004, matt structure

#### Threaded part

- Stainless steel 1.4305

#### Inner parts

- Stainless steel 1.4305

### Operation

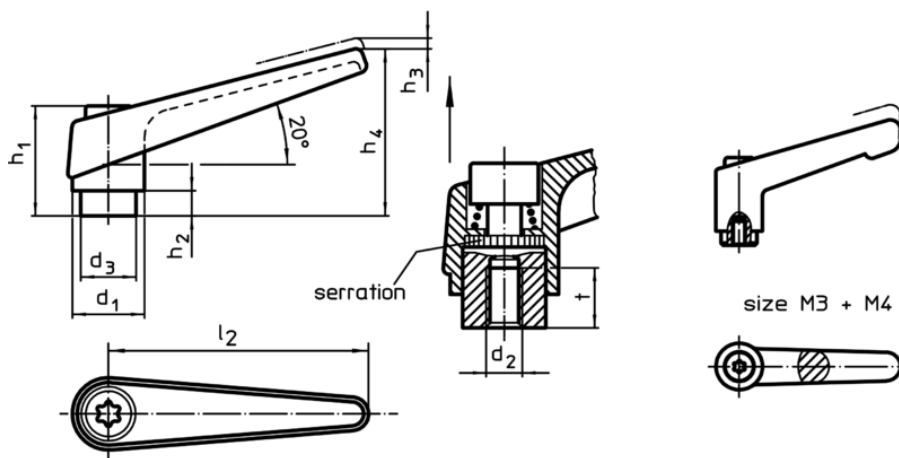
**By lifting the lever** the serrations are disengaged. The lever can be positioned by the serrations. On releasing the lever, the serrations are automatically re-engaged.

### More information

### Notes

The threaded portion can be exchanged.

### Drawing



### Order information

$d_1$	$d_2$	$d_3$	Dimensions							[g]	Art. No.
			$h_1$	$h_2$	$h_3$	$h_4$	$l_2$	$t$			
orange											
14	M6	10	24,5	4	3	35	45	8	33	24390.0121	

Application example

