

Adjustable Clamping Levers• inner parts from stainless steel, with female thread

24390.0111



Product Description

Adjustable clamping levers with rust-proof inner parts. Suitable for multiple applications, e.g. medical environments, chemical industry, and so on.

Material

Lever

- Zinc die-cast, plastic coated, orange similar to RAL 2004, matt structure

Threaded part

- Stainless steel 1.4305

Inner parts

- Stainless steel 1.4305

Operation

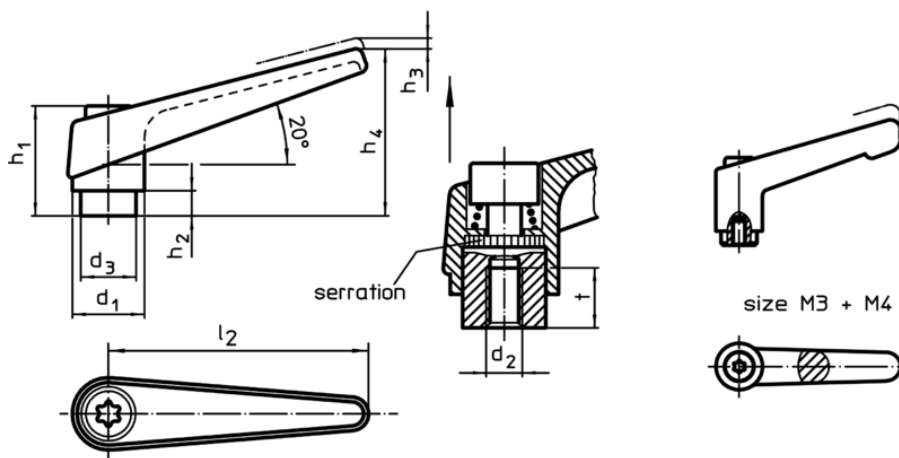
By lifting the lever the serrations are disengaged. The lever can be positioned by the serrations. On releasing the lever, the serrations are automatically re-engaged.

More information

Notes

The threaded portion can be exchanged.

Drawing



Order information

d_1	d_2	d_3	Dimensions							[g]	Art. No.
			h_1	h_2	h_3	h_4	l_2	t			
orange											
14	M5	10	24,5	4	3	35	45	8	33	24390.0111	

Application example

