

## Adjustable Clamping Levers• inner parts from stainless steel, with screw

24390.0018



### Product Description

Adjustable clamping levers with rust-proof inner parts. Suitable for multiple applications, e.g. medical environments, chemical industry, and so on.

### Material

#### Lever

- Zinc die-cast, plastic coated, orange similar to RAL 2004, matt structure

#### Inner parts

- Stainless steel 1.4305

#### Screw

- Stainless steel 1.4305

### Operation

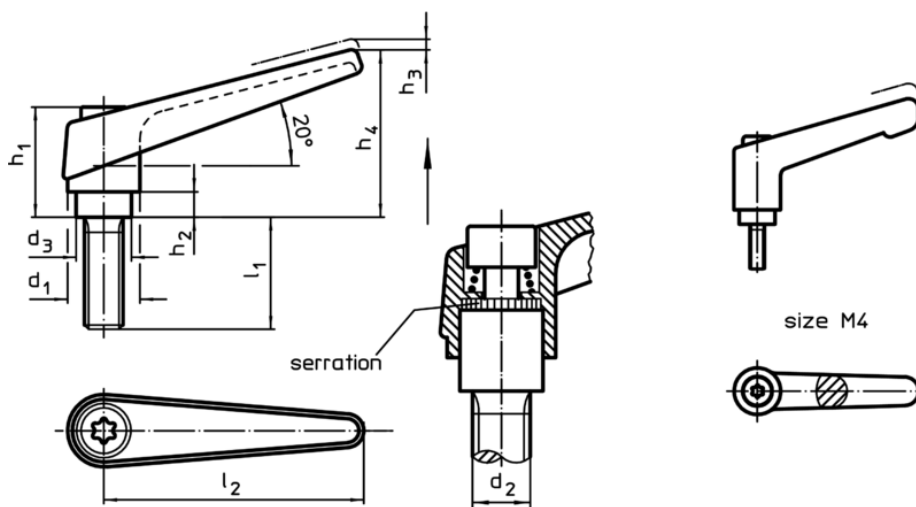
**By lifting the lever** the serrations are disengaged. The lever can be positioned by the serrations. On releasing the lever, the serrations are automatically re-engaged.

### More information

### Notes

The screw part can be exchanged.

### Drawing



### Order information

| Dimensions |       |       |       |       |       |       |       |       |     | Art. No.   |
|------------|-------|-------|-------|-------|-------|-------|-------|-------|-----|------------|
| $d_1$      | $d_2$ | $l_1$ | $d_3$ | $h_1$ | $h_2$ | $h_3$ | $h_4$ | $l_2$ | [g] |            |
| orange     |       |       |       |       |       |       |       |       |     |            |
| 13         | M4    | 20    | 10    | 24,5  | 4     | 3,5   | 30,5  | 30    | 28  | 24390.0018 |

Application example

