

Gear Lever Handles

24350.0622



Product Description

Material

Gear lever handle

- Stainless steel 1.4305, dull blasted

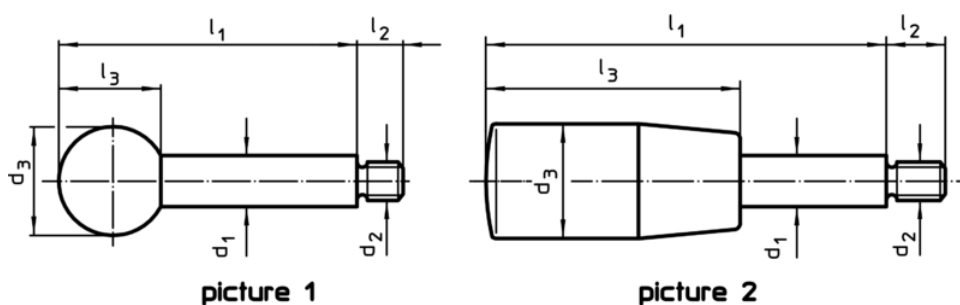
Ball knob

- Thermosetting plastic PF 31, black, DIN 319

Cylindrical handle

- Thermosetting plastic PF 31, black

Drawing



Order information

Dimensions						max. [°C]	[g]	Art. No.
d ₁	l ₁	d ₂	d ₃	l ₂	l ₃			
with cylindrical handle – picture 2, Stainless steel								
8	80	M6	18	9	40	110	33	24350.0622

Application example

