

Gear Lever Handles

24350.0534



Product Description

Material

Gear lever handle

- Stainless steel 1.4305, dull blasted

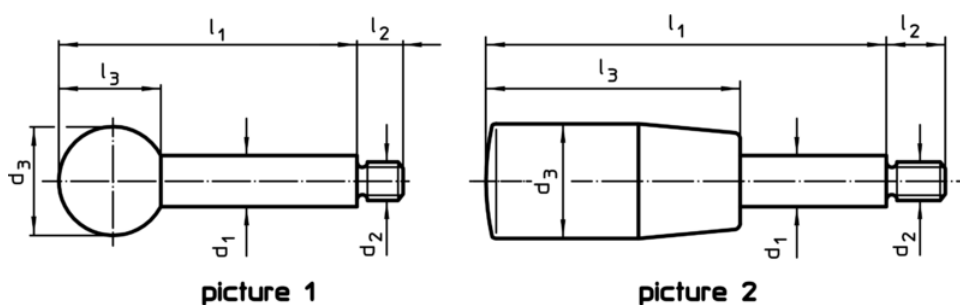
Ball knob

- Thermosetting plastic PF 31, black, DIN 319

Cylindrical handle

- Thermosetting plastic PF 31, black

Drawing



Order information

Dimensions						max. [°C]	[g]	Art. No.
d ₁	l ₁	d ₂	d ₃	l ₂	l ₃			
with spherical knob – picture 1, Stainless steel								
10	125	M8	25	11	22,5	110	76	24350.0534

Application example

