

## Gear Lever Handles

24350.0140



### Product Description

#### Material

##### Gear lever handle

- Steel, zinc-plated by galvanization, passivated

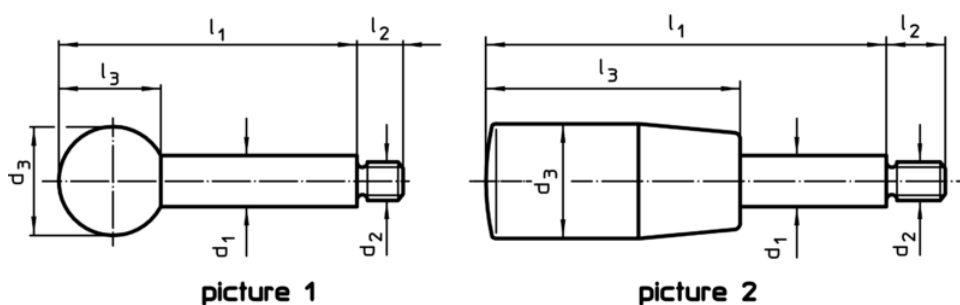
##### Ball knob

- Thermosetting plastic PF 31, black, DIN 319

##### Cylindrical handle

- Thermosetting plastic PF 31, black

### Drawing



### Order information

| Dimensions                                 |                |                        |                |                |                | max.<br>[°C] | [g] | Art. No.   |
|--|----------------|------------------------|----------------|----------------|----------------|--------------|-----|------------|
| d <sub>1</sub>                             | l <sub>1</sub> | d <sub>2</sub><br>[mm] | d <sub>3</sub> | l <sub>2</sub> | l <sub>3</sub> |              |     |            |
| with cylindrical handle – picture 2, Steel |                |                        |                |                |                |              |     |            |
| 12   | 100            | M10                    | 23             | 14             | 65             | 110          | 81  | 24350.0140 |

### Application example

