

Gear Lever Handles

24350.0054



Product Description

Material

Gear lever handle

- Steel, zinc-plated by galvanization, passivated

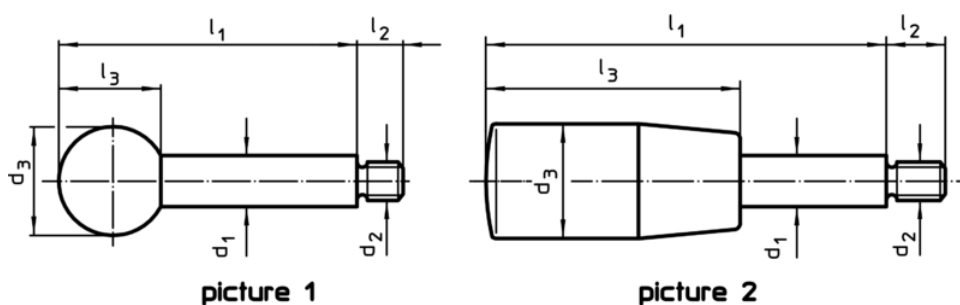
Ball knob

- Thermosetting plastic PF 31, black, DIN 319

Cylindrical handle

- Thermosetting plastic PF 31, black

Drawing



Order information

Dimensions						max. [°C]	[g]	Art. No.
d ₁	l ₁	d ₂	d ₃	l ₂	l ₃			
with spherical knob – picture 1, Steel								
14	200	M12	35	16	32,5	110	251	24350.0054

Application example

