

Gear Lever Handles

24350.0024



Product Description

Material

Gear lever handle

- Steel, zinc-plated by galvanization, passivated

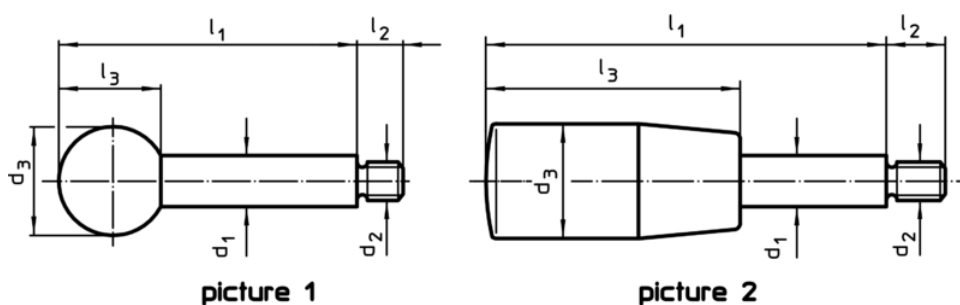
Ball knob

- Thermosetting plastic PF 31, black, DIN 319

Cylindrical handle

- Thermosetting plastic PF 31, black

Drawing



Order information

| Dimensions | | | | | | max. [°C] | [g] | Art. No. |
|--|----------------|------------------------|----------------|----------------|----------------|--------------|-----|------------|
| d ₁ | l ₁ | d ₂ [mm] | d ₃ | l ₂ | l ₃ | | | |
| with spherical knob – picture 1, Steel | | | | | | | | |
| 8 | 100 | M6 | 20 | 9 | 18 | 110 | 39 | 24350.0024 |

Application example

