

Crank Handles • Stainless steel precision casting

24330.0550



Product Description

Flat side of the hub is machined.

Material

Axle part

- Stainless steel 1.4301

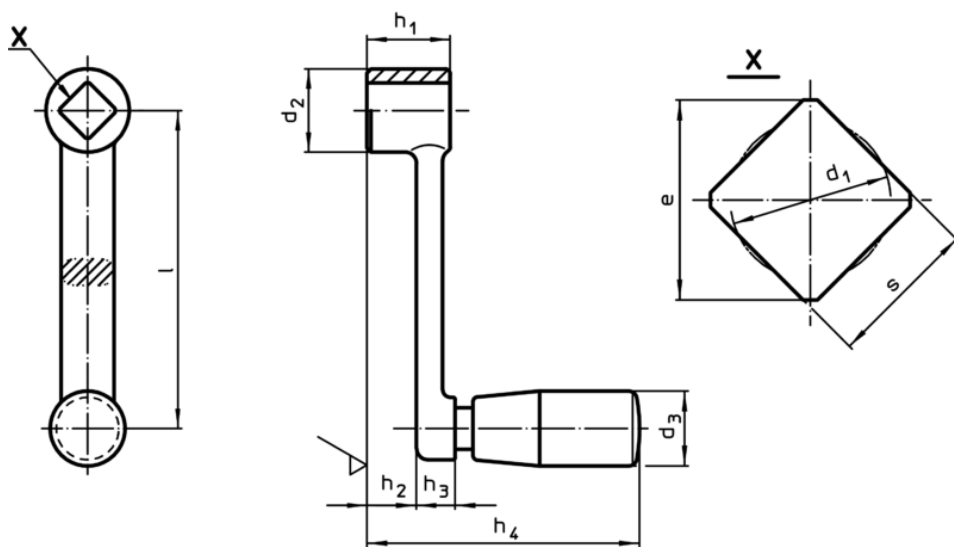
Handle body

- Stainless steel 1.4308


Cylindrical handle

- Thermosetting plastic PF 31, black

Drawing



Order information

Dimensions									d ₃ Cylindrical handle Ø EH 24530.		Art. No.
l	s H11	e min.	d ₁ max.	d ₂	h ₁	h ₂ ~	h ₃	h ₄ ~			
[mm]									[mm]	[g]	
160	17	22,2	17,9	32	32	22,6	9,4	99,5	23	370	24330.0550

Application example

