

Crank Handles • Stainless steel precision casting

24330.0540



Product Description

Flat side of the hub is machined.

Material

Axle part

- Stainless steel 1.4301

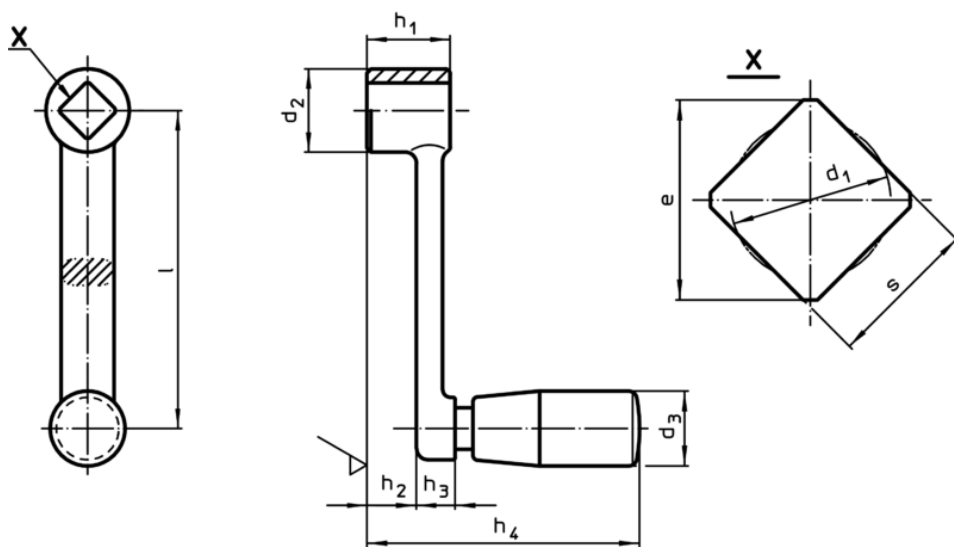
Handle body

- Stainless steel 1.4308


Cylindrical handle

- Thermosetting plastic PF 31, black

Drawing



Order information

Dimensions									d_3 Cylindrical handle Ø EH 24530.		Art. No.
l	s H11	e min.	d_1 max.	d_2	h_1	h_2 ~	h_3	h_4 ~	[mm]	[g]	
[mm]									[mm]	[g]	
125	14	18,1	14,7	28	28	18,8	9,2	95,5	23	320	24330.0540

Application example

